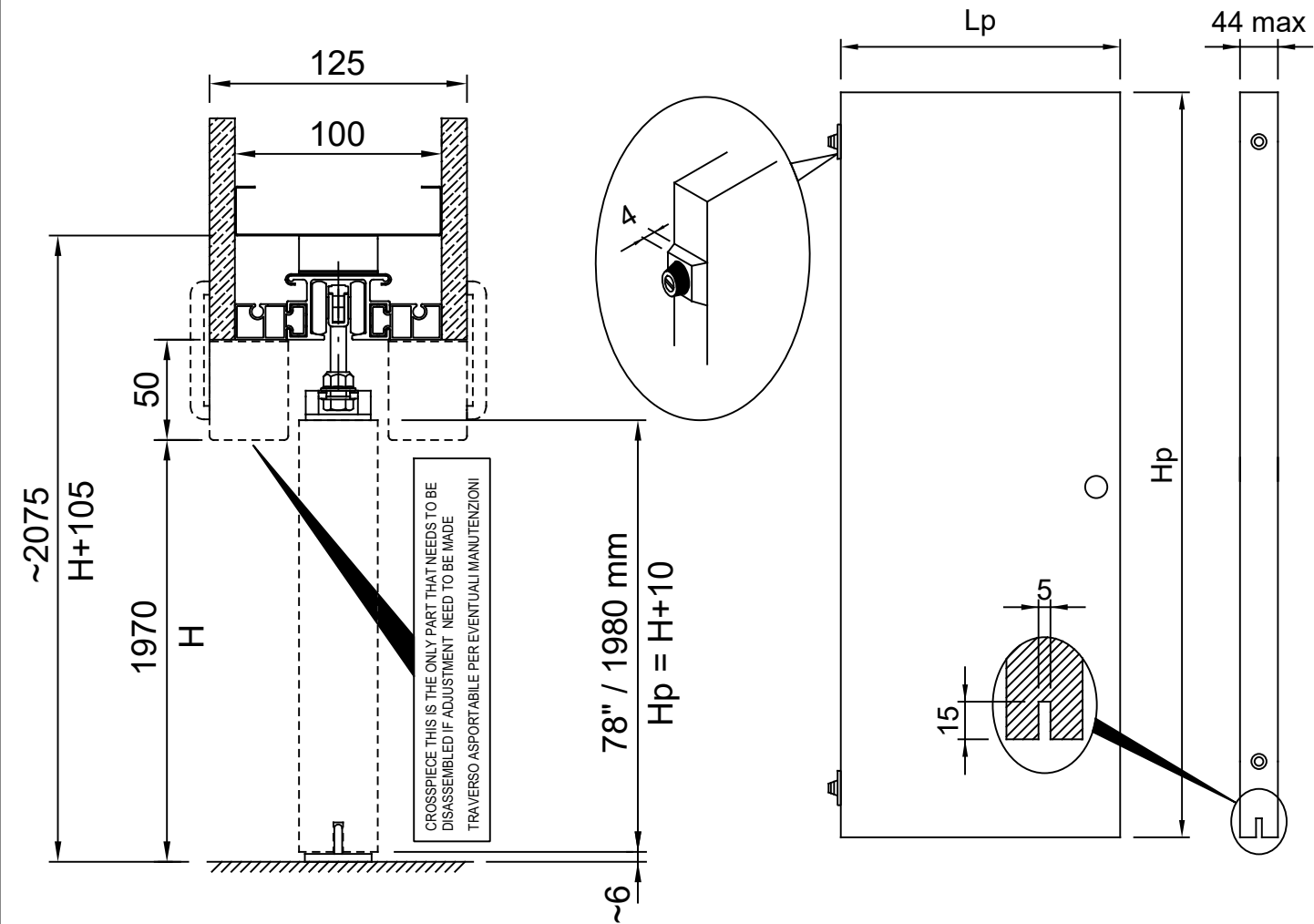


DOOR PANEL

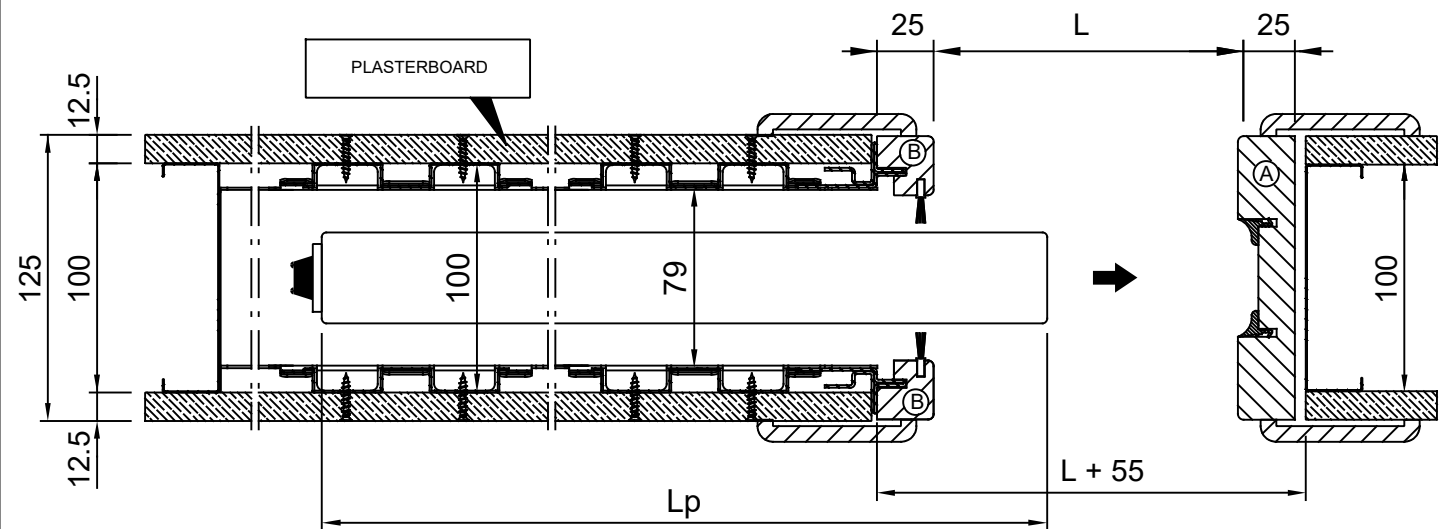


SINGLE DOOR

| DOOR SIZE | | | OPENING SIZE | |
|-----------|------------|----|--------------|------|
| Lp | Hp | n° | L | H |
| in / mm | in / mm | | mm | mm |
| 24" / 610 | 78" / 1980 | 1 | 580 | 1970 |
| 27" / 686 | | 1 | 656 | |
| 30" / 762 | | 1 | 732 | |
| 33" / 838 | | 1 | 808 | |
| 36" / 914 | | 1 | 884 | |

DOUBLE DOOR

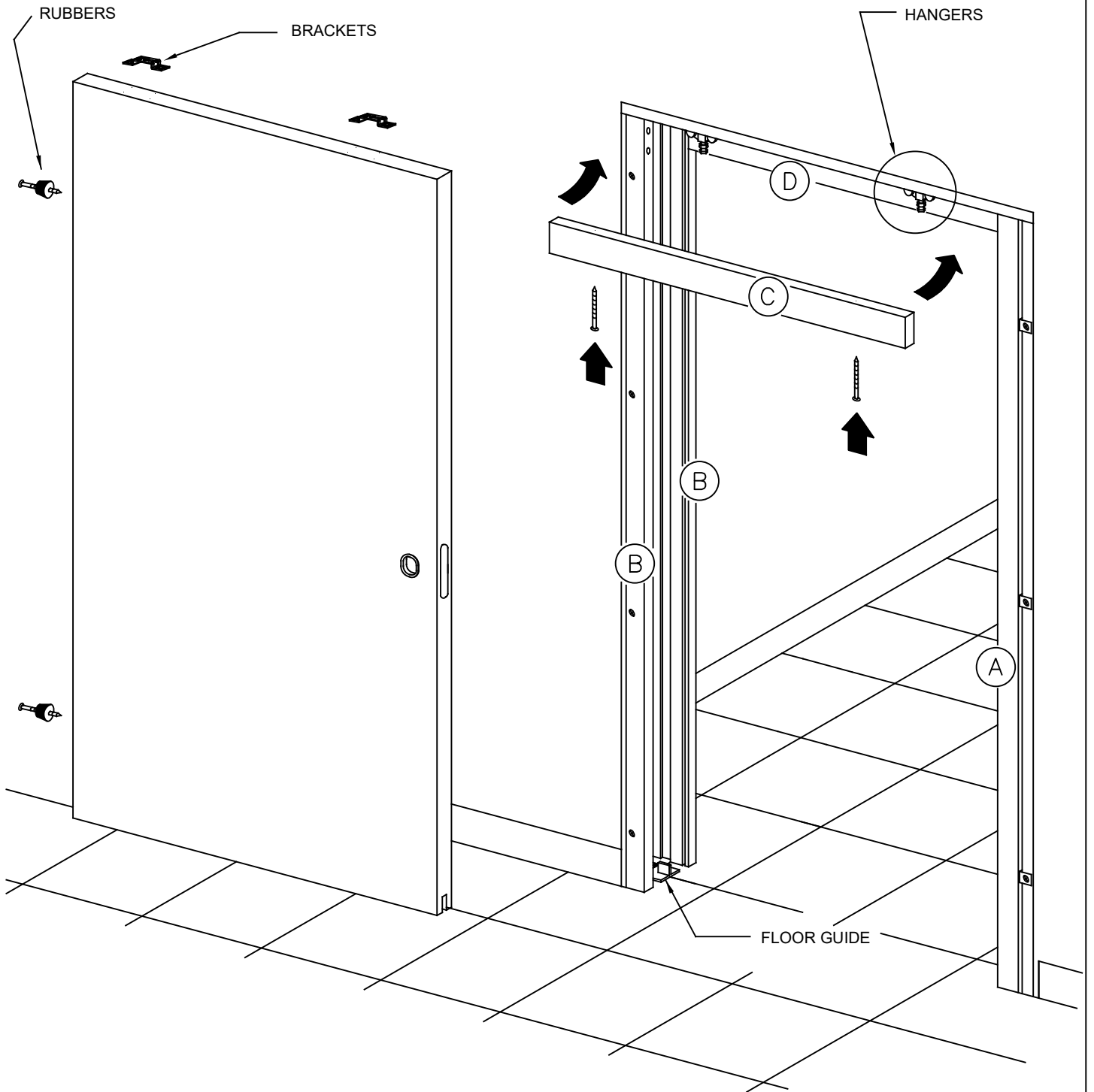
| DOOR SIZE | | | OPENING SIZE | |
|-----------|------------|----|--------------|------|
| Lp | Hp | n° | L | H |
| in / mm | in / mm | | mm | mm |
| 24" / 610 | 78" / 1980 | 2 | 1160 | 1970 |
| 27" / 686 | | 2 | 1312 | |
| 30" / 762 | | 2 | 1464 | |
| 33" / 838 | | 2 | 1616 | |
| 36" / 914 | | 2 | 1768 | |



Scrignokit

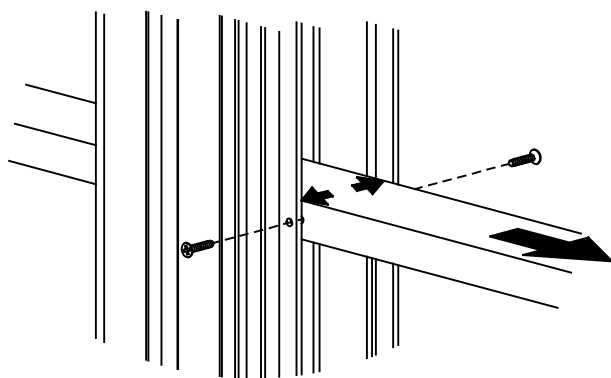
Door installation instructions
IMPERIAL SIZE

125

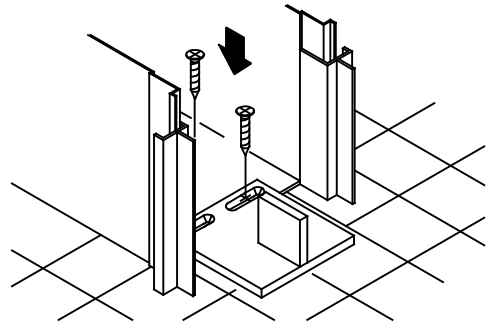


The information given in this document is for descriptive purposes only. SCRIGNO S.p.A. will not be held responsible for any inaccuracies caused by printing errors, transcription errors or for any other reason, and reserves the right to make modifications, without giving prior notice, for the improvement of its products. The reproduction, including the partial reproduction, of this document is severely prohibited within the terms of the Law.

SCRIGNO
Scrigno SpA | scrigno.net
via Casale Sant'Ermete 975
47822 Santarcangelo di Romagna (RN)
ph. + 39 0541 757711
fax + 39 0541 757780
scrigno@scrigno.it

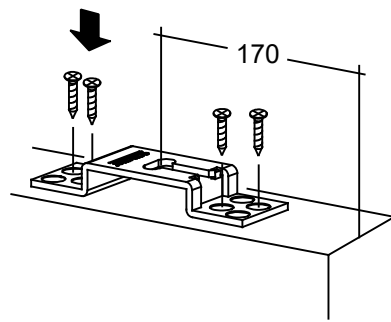
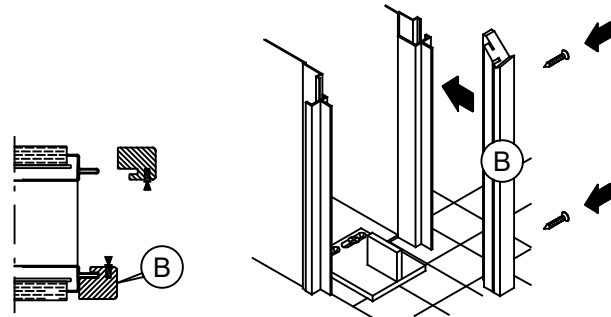


REMOVE THE SCREWS AND THE INSTALLATION SPACER.



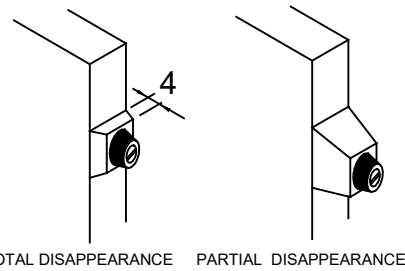
FIX FLOOR GUIDE USING SCREWS 4.2X9.5. IF THE FRAME IS NOT AT THE SAME LEVEL OF THE FLOOR USE THE SUPPLIED SPACER FOR THE FLOOR GUIDE AND IN THIS CASE USE SCREWS 4.2X19.

FIT JAMB "B" ON THE BOX FRAME AS SHOWN. IT IS HELPFUL TO DRILL THE METAL SHEET BEFORE SECURING WITH THE SELF TAPPING SCREWS.

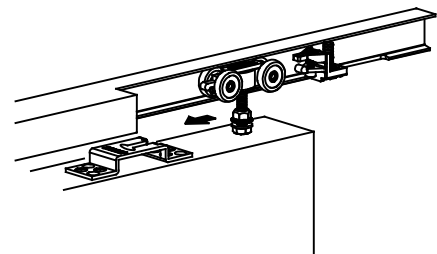


FIX THE BRACKETS, WHICH SUPPORT THE HANGERS, TO THE TOP OF THE DOOR AT 170 mm AS SHOWN IN THE DRAWING WITH 4.5X25 SCREWS. IT IS IMPORTANT THAT THE SLOT FOR HANGER HOOKING IS TOWARDS THE FRONT SIDE OF THE DOOR.

FIT THE RUBBER ON TO A 4 mm THICKNESSES ON THE REAR EDGE OF THE PANEL FOR A TOTAL DISAPPEARANCE OF THE DOOR. FOR A PARTIAL DISAPPEARANCE OF THE DOOR, FIX A TIMBER SPACER BETWEEN THE RUBBER AND THE EDGE OF THE DOOR, AS SHOWN.



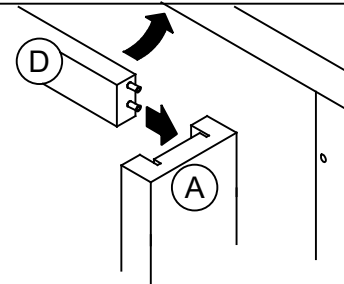
TOTAL DISAPPEARANCE PARTIAL DISAPPEARANCE



SLOT THE HANGERS INTO THE SLIDING TRACK AND THE RETAINING HOOK FIT THE DOOR PANELS TO THE HANGERS AND FIX THE SLIDING.

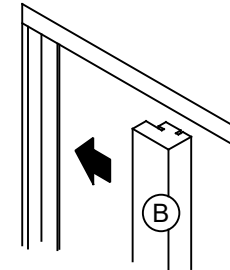
125

UK
IMPERIAL

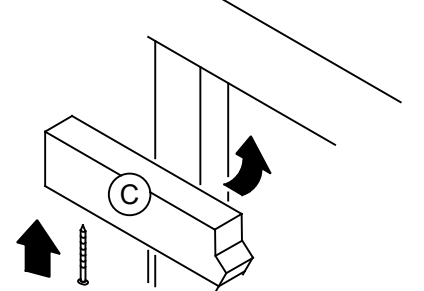


SLOT CROSS PIECE "D" TO THE ALREADY FITTED JAMB "B", FIX IN JAMB "A", CHECK HIS VERTICAL POSITIONS AND FASTEN TO THE FRAME.

FIX THE REMAINING JAMB "B"



FIT CROSS PIECE "C" SO THAT IT CAN BE EASILY REMOVED FOR ADJUSTMENT OR ROUTINE MAINTENANCE PURPOSES.



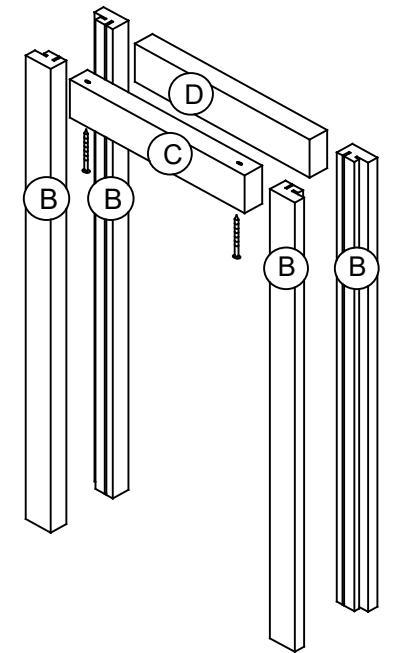
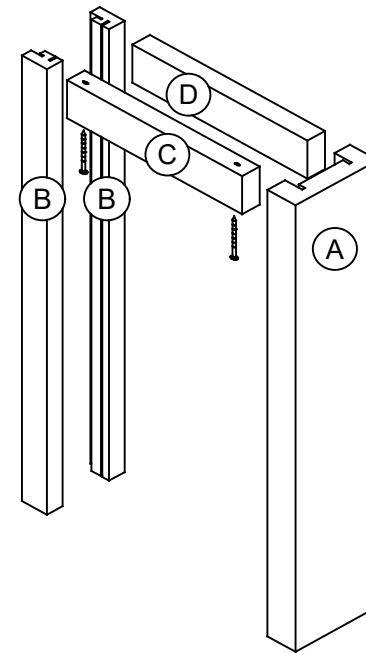
DOOR POSTS

SINGLE DOOR

| DOOR SIZE | | | OPENING SIZE | | END POSTS SIZE | | | | | |
|-----------|------------|----|--------------|--|----------------|----|------|----|-------|-----|
| Lp x Hp | | | L x H | | A | | B | | C / D | |
| in | mm | n° | mm | | mm | n° | mm | n° | mm | n° |
| 24" x 78" | 610 x 1980 | 1 | 580 x 1970 | | 2020 | 1 | 2020 | 2 | 580 | 1+1 |
| 27" x 78" | 686 x 1980 | | 656 x 1970 | | | | | | 656 | |
| 30" x 78" | 762 x 1980 | | 732 x 1970 | | | | | | 732 | |
| 33" x 78" | 838 x 1980 | | 808 x 1970 | | | | | | 808 | |
| 36" x 78" | 914 x 1980 | | 884 x 1970 | | | | | | 884 | |

DOUBLE DOOR

| DOOR SIZE | | | OPENING SIZE | | END POSTS SIZE | | | | | |
|-----------|------------|----|--------------|--|----------------|----|-------|-----|------|----|
| Lp x Hp | | | L x H | | B | | C / D | | | |
| in | mm | n° | mm | | mm | n° | mm | n° | mm | n° |
| 24" x 78" | 610 x 1980 | 2 | 1160 x 1970 | | 2020 | 4 | 1616 | 1+1 | 1160 | |
| 27" x 78" | 686 x 1980 | | 1312 x 1970 | | | | | | 1312 | |
| 30" x 78" | 762 x 1980 | | 1464 x 1970 | | | | | | 1464 | |
| 33" x 78" | 838 x 1980 | | 1616 x 1970 | | | | | | 1616 | |
| 36" x 78" | 914 x 1980 | | 1768 x 1970 | | | | | | 1768 | |



FINISHED WALL 125 mm

