

Brio Weatherfold 4s 50 & 100

Brio Australia
 P: +61 2 87186718
 W: brio.com.au
 E: sales@brio.com.au

Brio UK
 P: +44 191 2291224
 W: briouk.com
 E: sales@briouk.com

Brio USA
 P: +1 585 3195599
 W: briouusa.com
 E: sales@briouusa.com

Codes

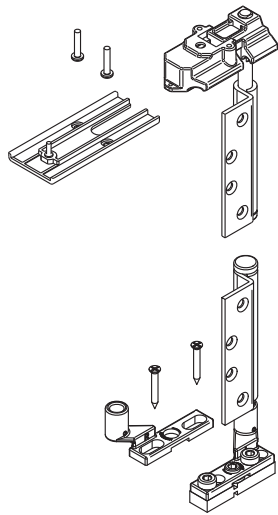
B WS 1 - 50 S H PB

Finish: PB (Physical Vapour Deposition Brass), PR (Physical Vapour Deposition Black), SS (Satin Stainless), PS (Polished Stainless)
 Hinge Type: See section Hinge Installation (page 5)
 Bearing Type: S (Stainless Steel Bearing), C (Chrome Steel Bearing)
 Load Capacity: 50kg (110lbs) and 100kg (220lbs) panels
 Set No.: 1 (Pivot Set), 2 (End Hanger Set), 4 (Intermediate Hanger Set), 3 (Hinge Handle Set), 5 (Hinge Set), 6 (Offset Hinge Set), 7 (Offset Hinge Handle Set), 8 (Meeting Rebate Door Set)

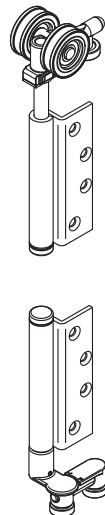
Brio Weatherfold 4s

Sets all sets shown with hinge type H except BWS8. BWS8 sets available in 100. No finishes shown.

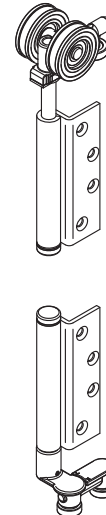
BWS1-100H



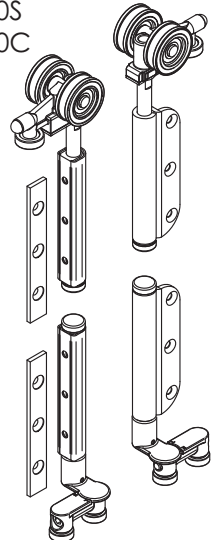
BWS2-50SH
BWS2-50CH



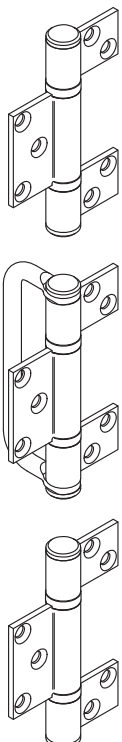
BWS2-100SH
BWS2-100CH



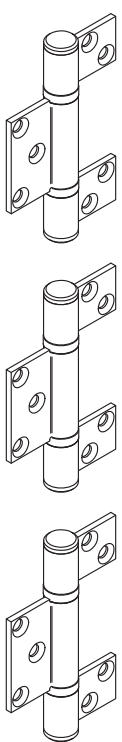
BWS8-50S
BWS8-50C



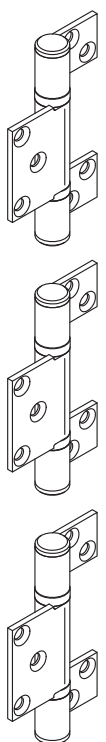
BW3-100H



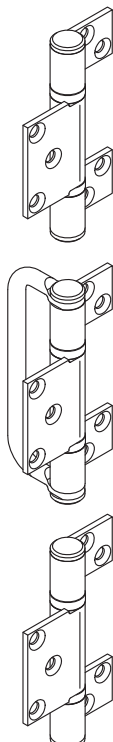
BW5-100H



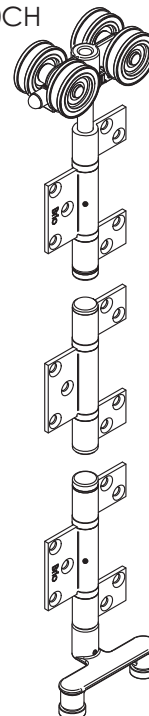
BW6-100H



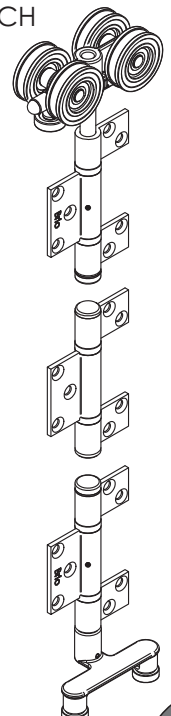
BW7-100H



BWS4-50SH
BWS4-50CH



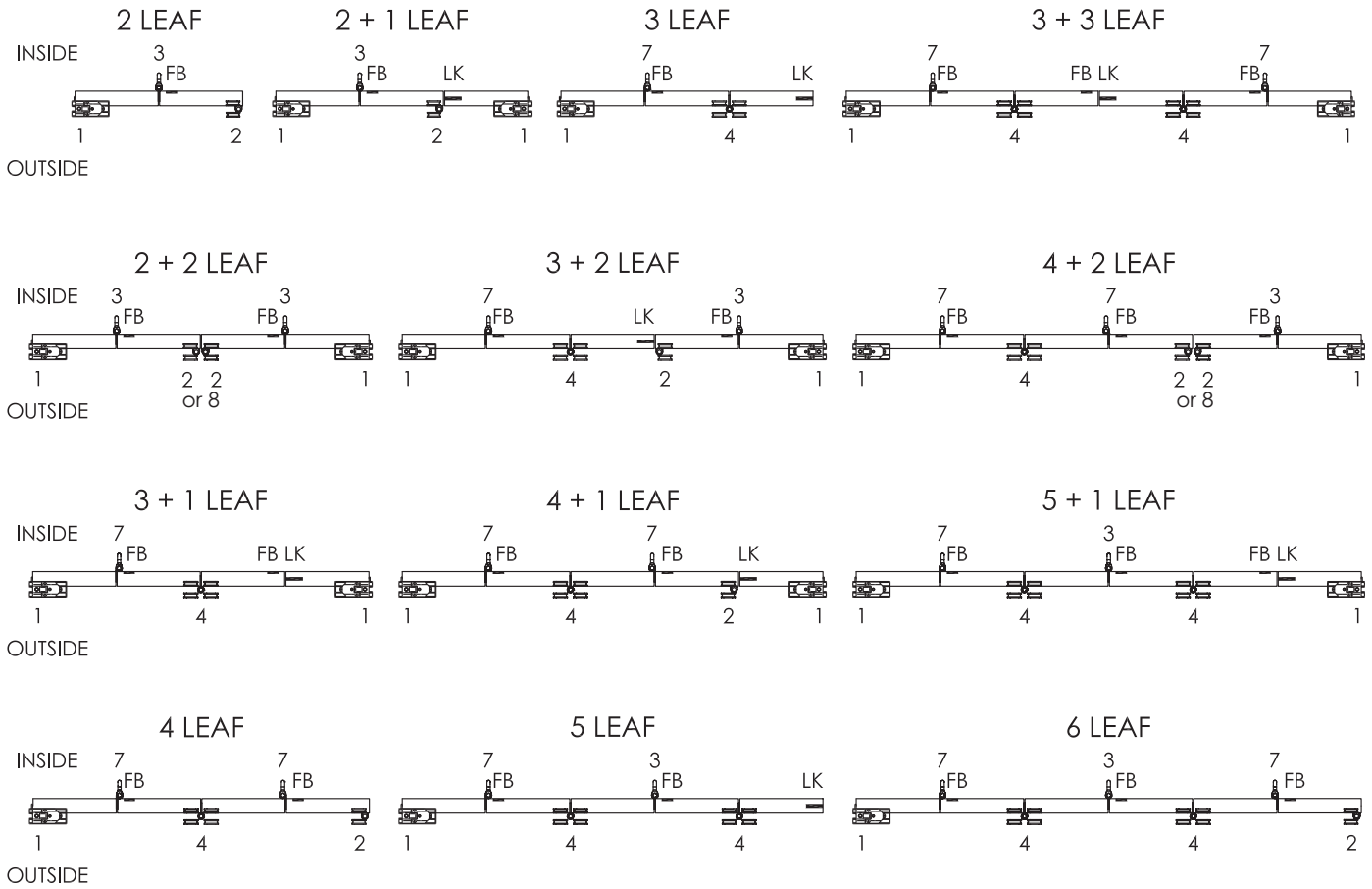
BWS4-100SH
BWS4-100CH



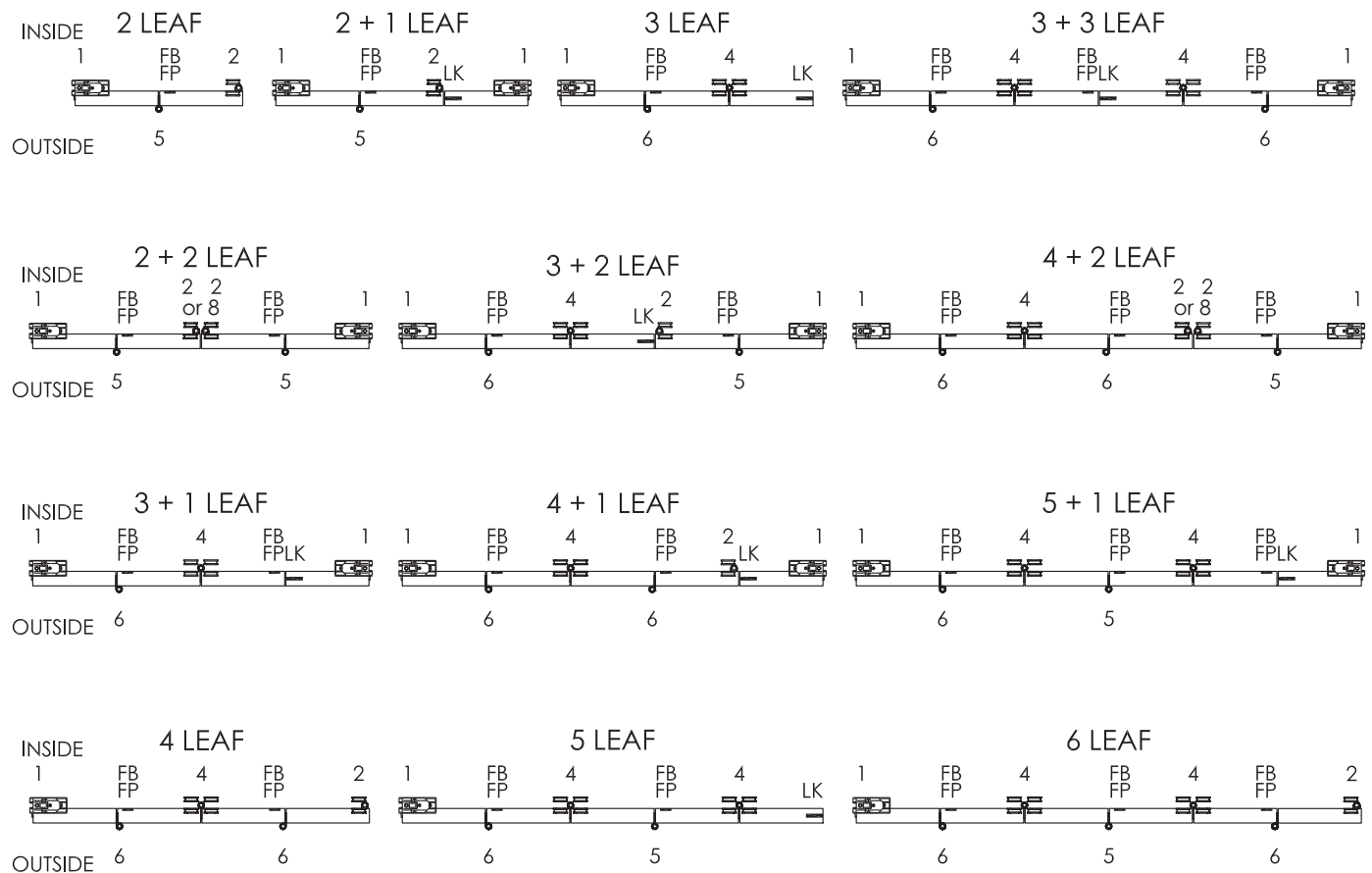
Door Hardware Set Orientation

FB = Flush Bolt, FP = Flush Pull, LK = Lock, left systems shown

OUTWARD OPENING

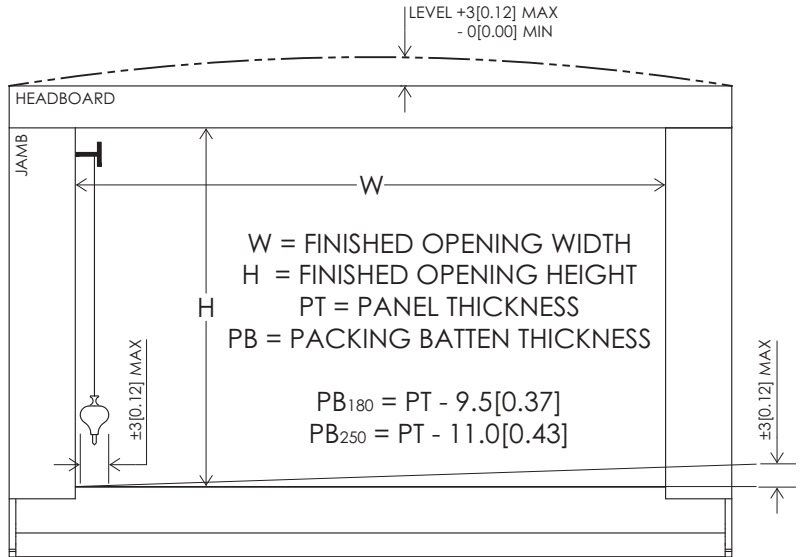
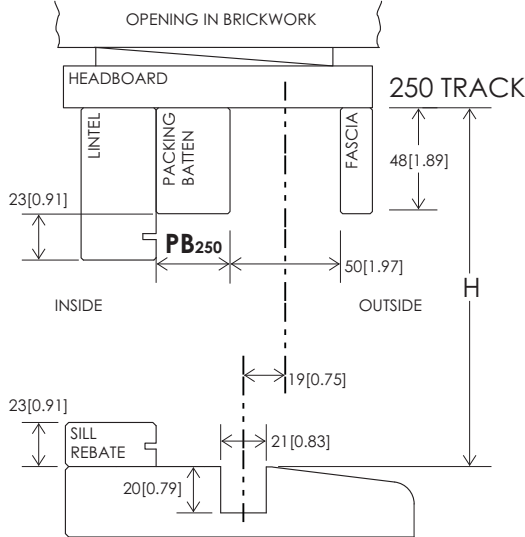
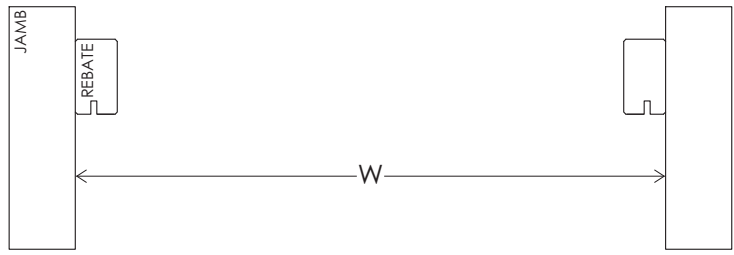
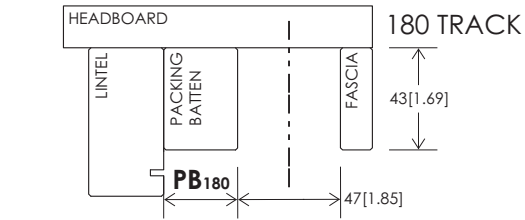


INWARD OPENING



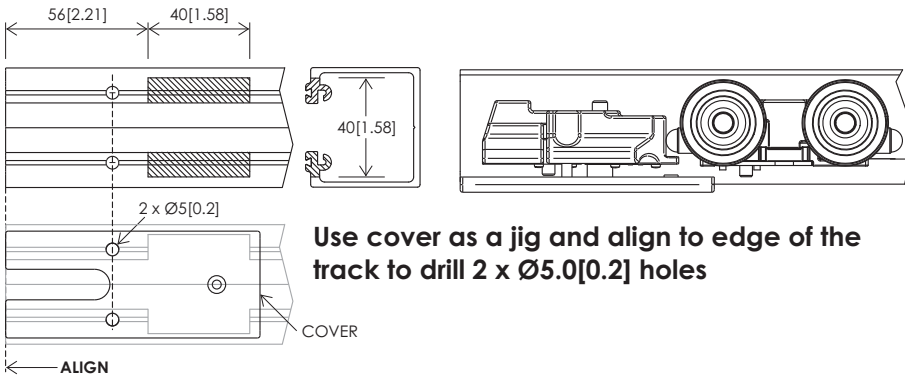
Opening Preparation outward opening system shown, dimensions shown in mm[inches]

180 Track for 50kg(110lbs)
250 Track for 75kg(165lbs) & 100kg(220lbs)

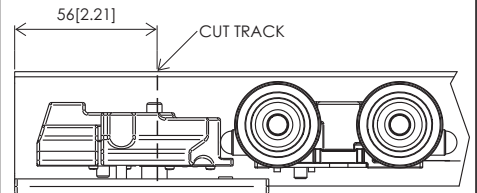


Track Preparation track and channel cut to length 'W' (finished opening width)

OPTION A - Allows access to hangers through notch in track

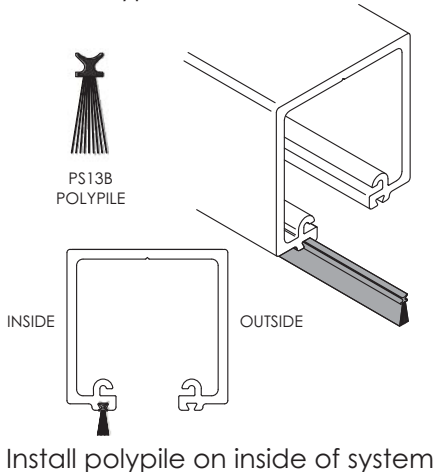


OPTION B - Allows access to hangers by removing track section

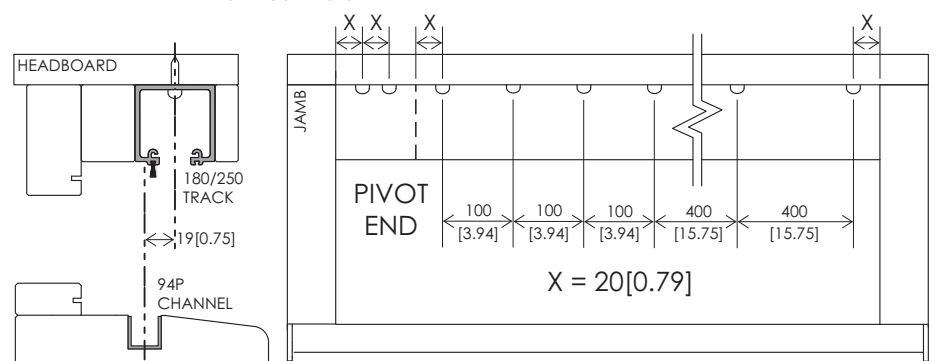


Install Track & Channel

Insert Polypile



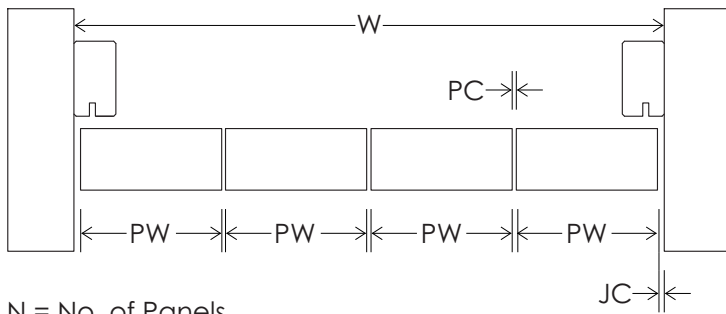
Fix track with 10G screws. After initial 6 fixings, fix screws at 400[15.75] intervals. Secure polypropylene channel with adhesive.



If installing 94PA, recess into sill 23[0.91] deep by 25[0.95] wide then countersink and screw fix at 400[15.75] intervals. Install 94P last.

Panel Size Calculation free leaf width calculator available from Brio (includes BOM & pricing)

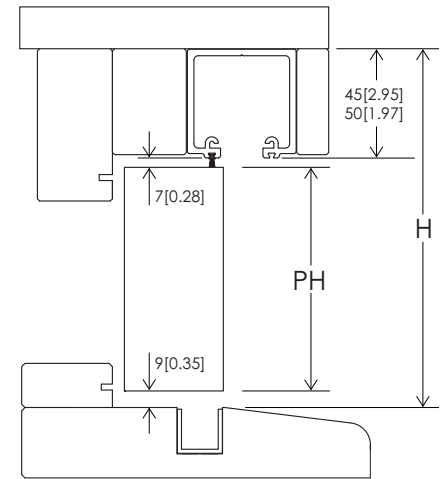
Brio Weatherfold 4s allows for equal size panels



N = No. of Panels
 PW = Panel Width
 JC = Jamb Clearance = 6[0.24]
 PC = Panel Clearance = 4[0.16]

$$PW = \frac{W - [PC(N-1) + 2(JC)]}{N}$$

PH = Panel Height

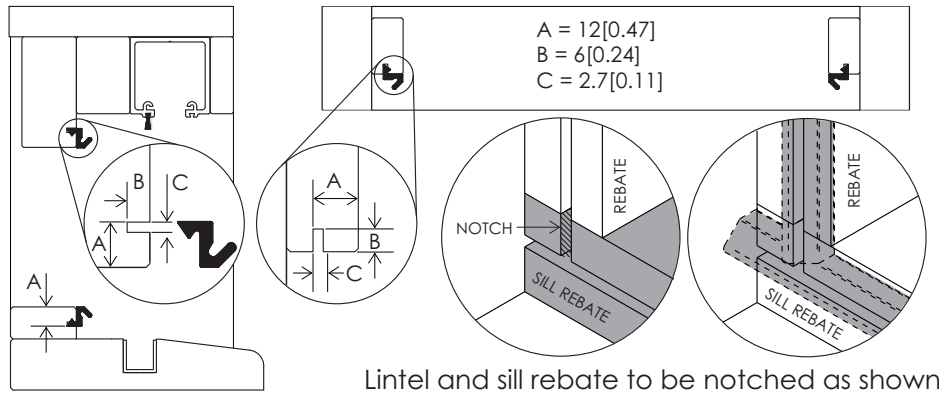


$$PH_{180 \text{ TRACK}} = H - 61[2.40]$$

$$PH_{250 \text{ TRACK}} = H - 66[2.60]$$

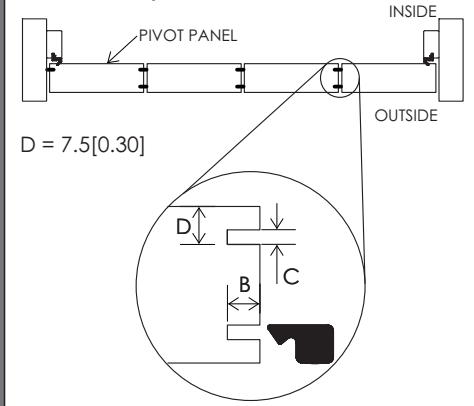
Seal Preparation left, outward opening system shown

Frame - AQ21 perimeter seals to butt against each other in all corners



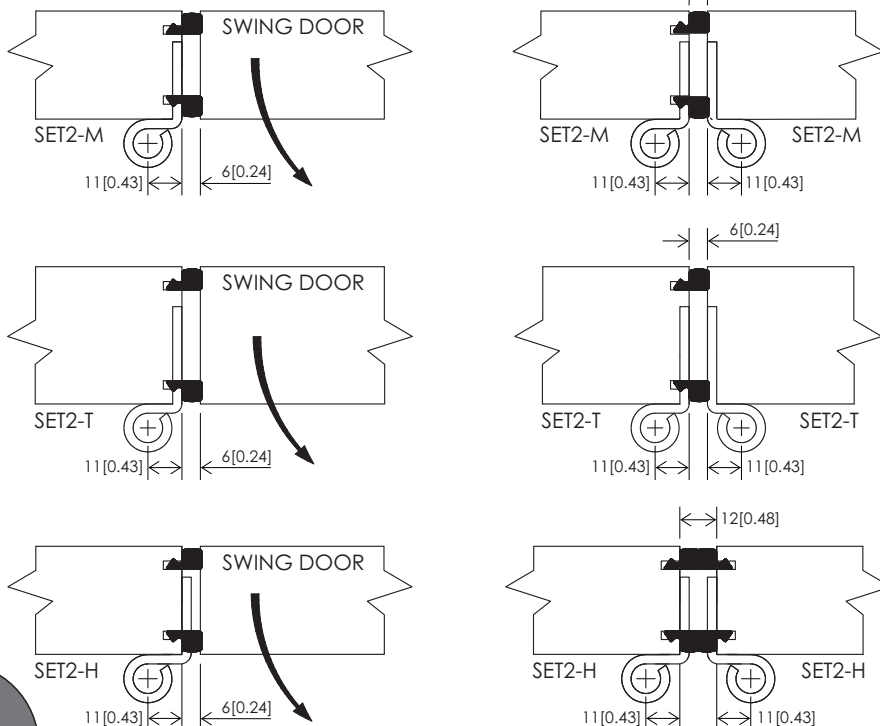
Lintel and sill rebate to be notched as shown

Panel - AQ63

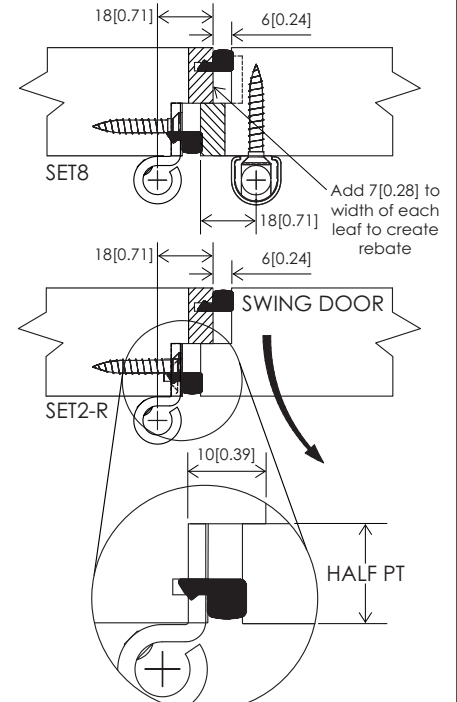


Meeting Door Selection

2 Meeting square doors



2 Meeting rebate doors

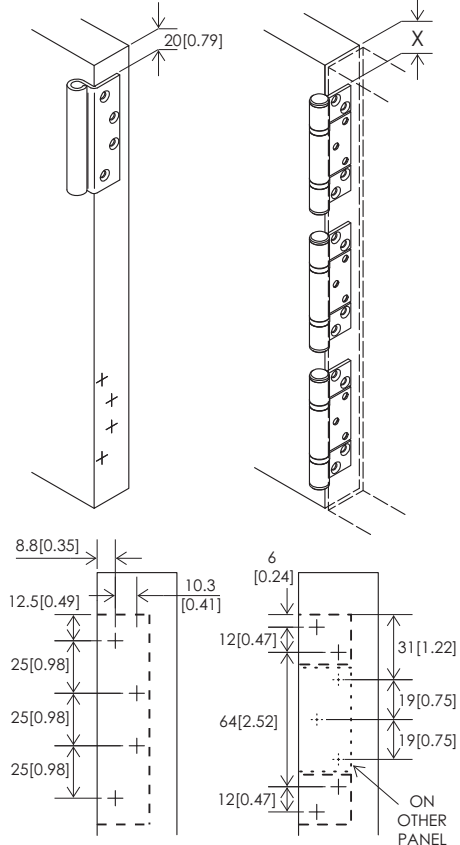


For more rebate detail contact Brio

Hinge Installation

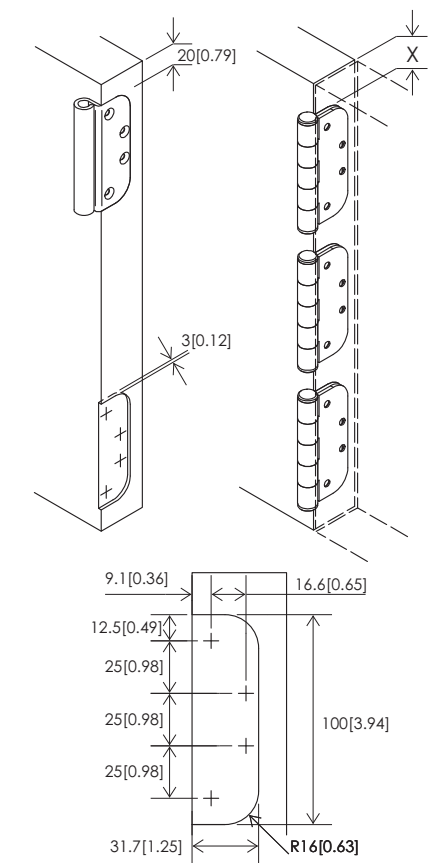
pilot hole of $\varnothing 2.5\text{mm}$ [0.12"] recommended

Non-mortise H 35[1.38]-68[2.68] Panel Thickness



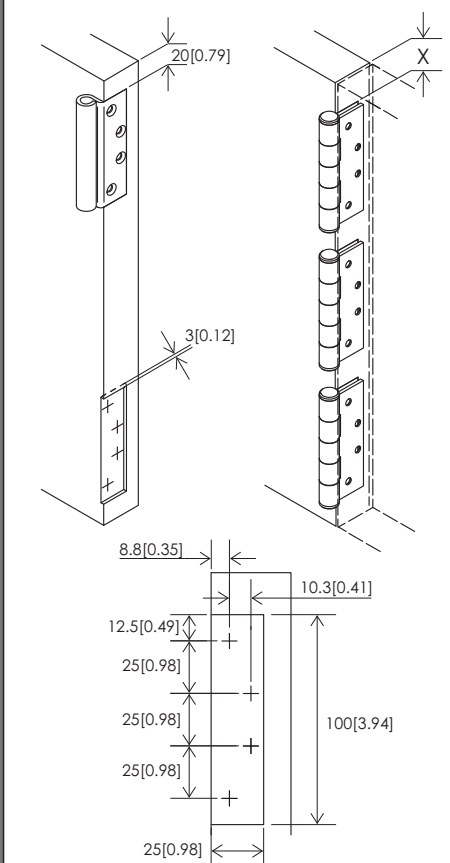
X=20[0.79] on Set 4
X=60[2.36] min on Sets 3, 5, 6 & 7
Drilling jig available for H Sets

Mortise Radius Corner T 44[1.73]-68[2.68] Panel Thickness



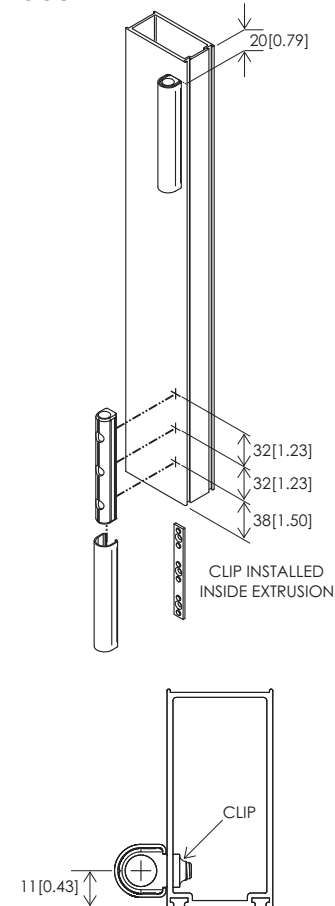
X=20[0.79] on Set 4
X=60[2.36] min on Sets 3, 5, 6 & 7

Mortise Square Corner M 35[1.38]-68[2.68] Panel Thickness



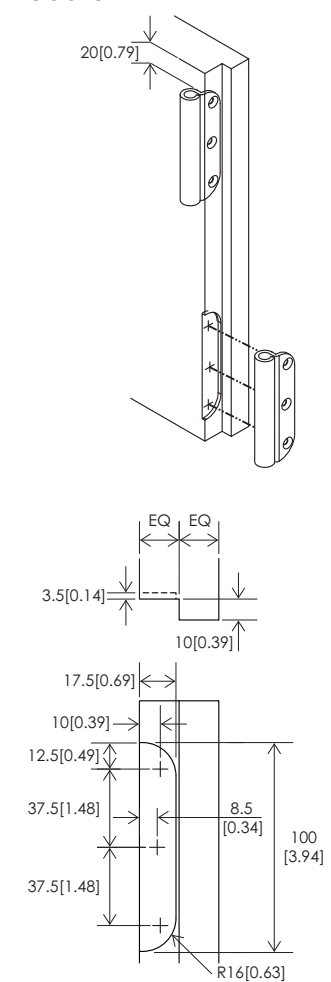
X=20[0.79] on Set 4
X=60[2.36] min on Sets 3, 5, 6 & 7

Face Fix F

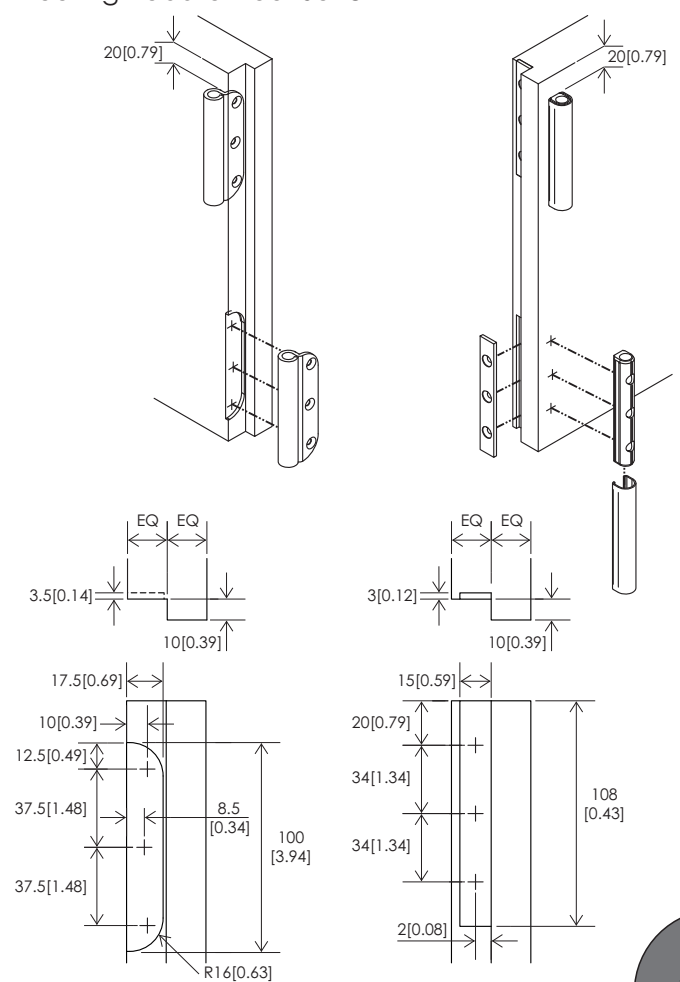


Drill holes $\varnothing 5$ [0.20]

Rebate R



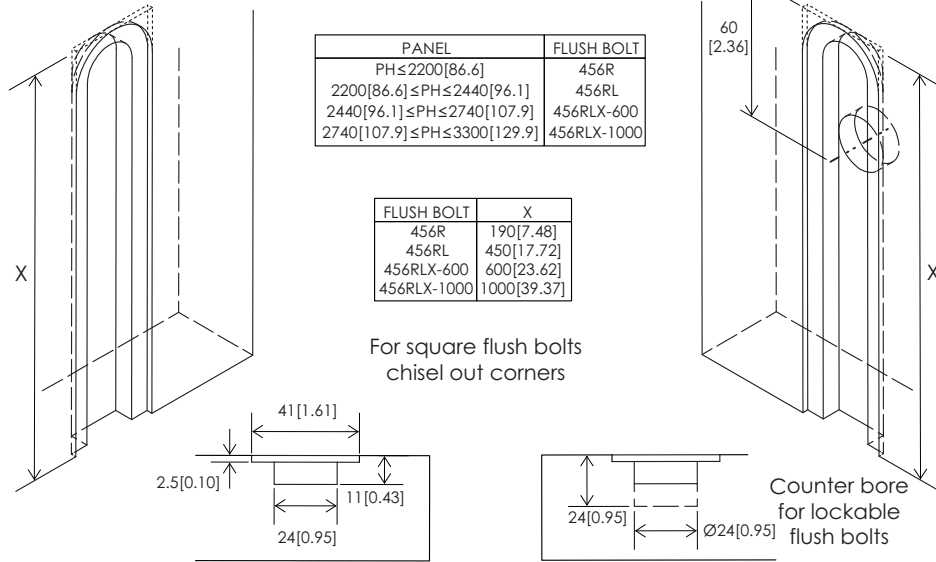
Meeting Rebate Door Set 8



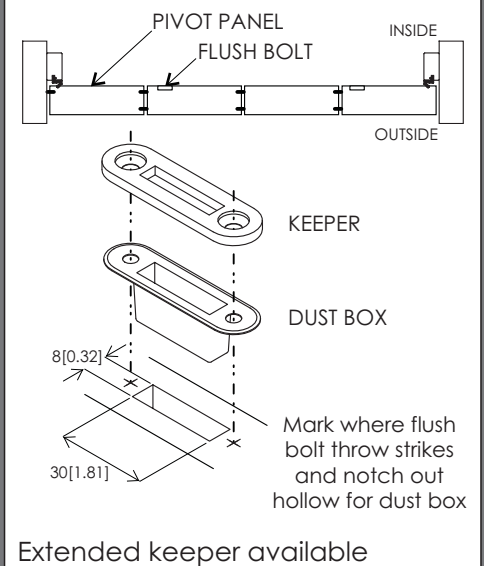
Flush bolt Position

see page 2 for flush bolt location for all configurations, router available

Install flush bolt to panel

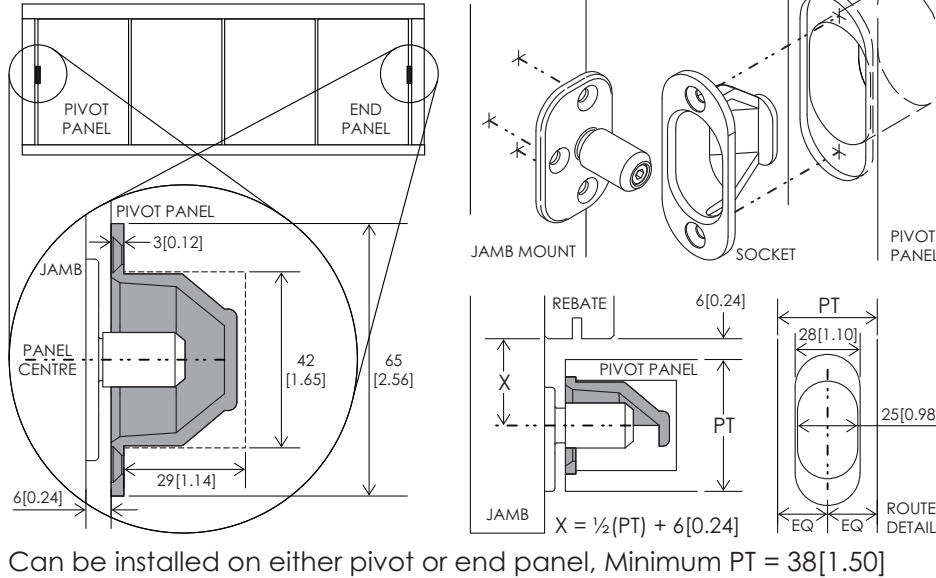


Install flush bolt keeper to sill

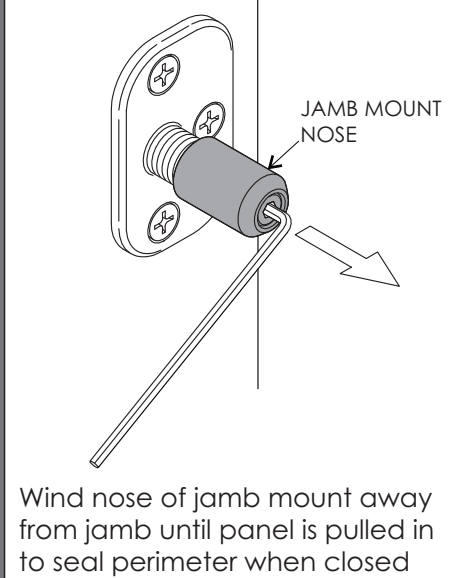


Optional Security Aligner 199SS aligns panel to seal perimeter, secures against lifting

Installation

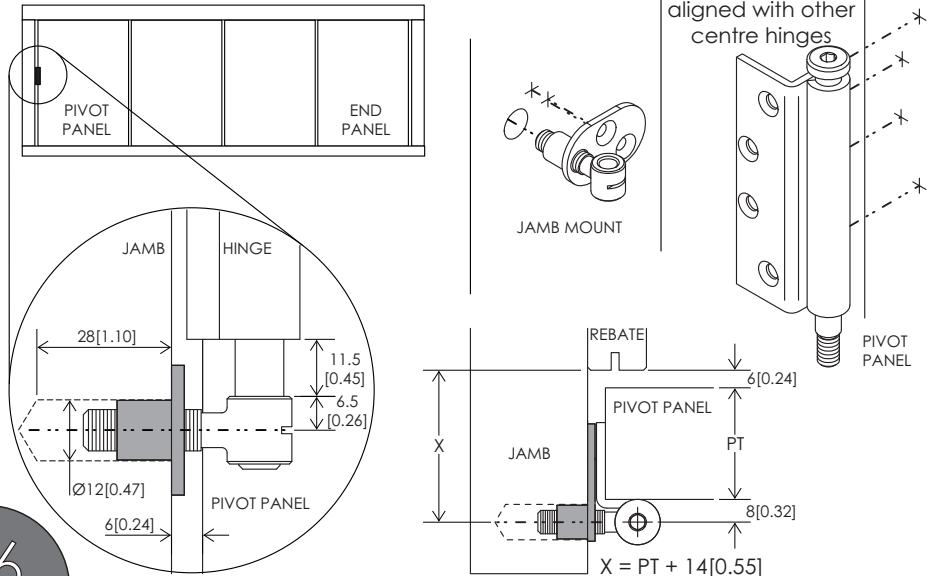


Adjustment

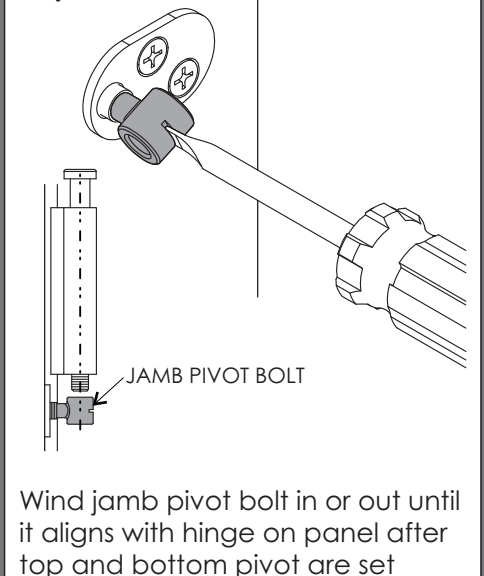


Optional Jamb Pivot BW189H_ non mortice type H shown but all hinge types available

Installation



Adjustment



End Guide

when viewed from outside doors folding left need a left end guide and vice versa for right

Handing End Guide

Back off cap screw and rotate guide arm into left or right position

Determining System Orientation

Left, outward opening system

Right, outward opening system

Handing end set hinge

For Right: Flip hinge

ANTI-SHAKE SET/GRUB SCREW

Lock off anti-shake set/grub screw

Bottom Pivot

when viewed from outside doors folding left need a left pivot and vice versa for right

Handing Bottom Pivot

For Right: Interchange pivot arm

Flip base over

Secure assembly by locking off cap screws

Handing pivot set hinge

Push in cap

ANTI-SHAKE SET/GRUB SCREW

For Right: Flip hinge

Lock off anti-shake set/grub screw

System Security

type H hinge shown but security set/grub screw applicable in hinge types T and M too

Hanger security

SET/GRUB SCREW POSITION ON END SET & PIVOT HINGES

HEX DRIVE

ANTI-SHAKE SET/GRUB SCREW

HINGE PIN

HINGE

Anti-shake set/grub screw prevents pin being removed from hinge

Guide security

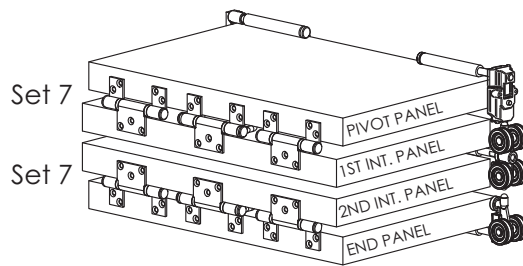
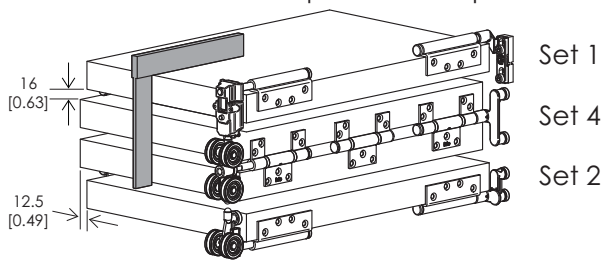
ANTI-SHAKE SET/GRUB SCREW

ANTI-SHAKE SET/GRUB SCREW

Lock off both set/grub screws

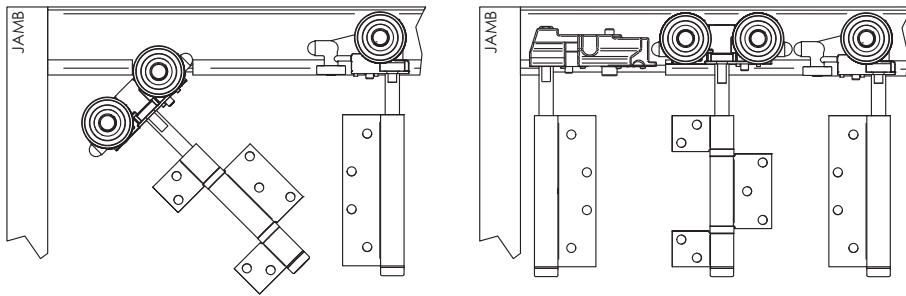
Attaching Hardware to Panels recommended before installation

Ensure doors are level and square from top

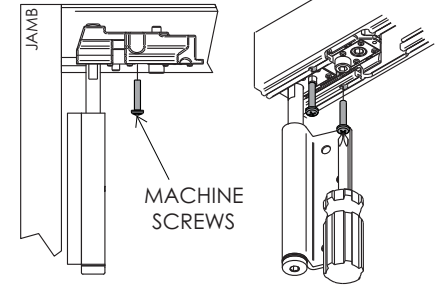


Installing Hardware and Hanging Panels clean down inside of track and channel

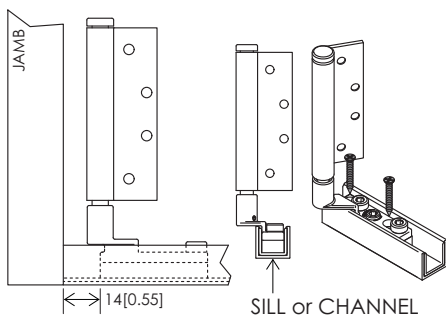
Viewed from outside, insert rollers through access notch in correct order



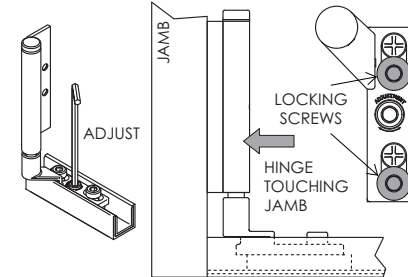
Fix top pivot into position with machine screws supplied



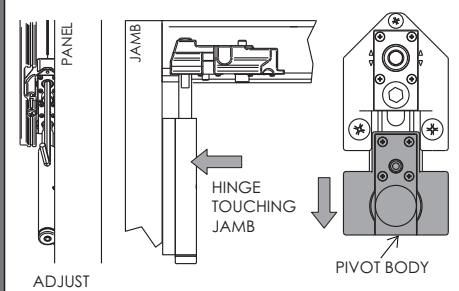
Place bottom pivot in channel



Loosen locking screws and adjust bottom pivot so that hinge is touching the jamb. Lock off when in position.

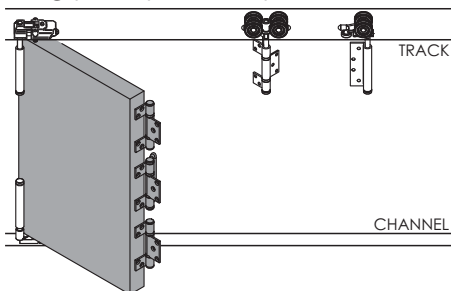


Loosen locking screw and adjust top pivot so that hinge is touching the jamb. Lock off when in position.



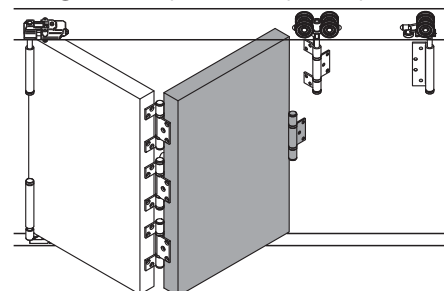
Screws pass through assembly

Bring pivot panel to pivot set



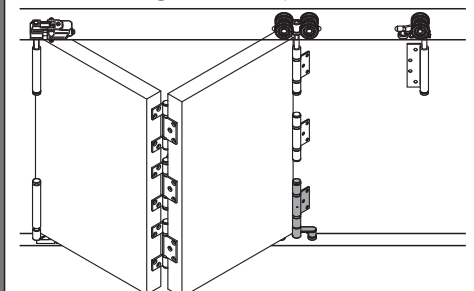
Hinge set 7 attached to panel

Bring 1st int. panel to pivot panel



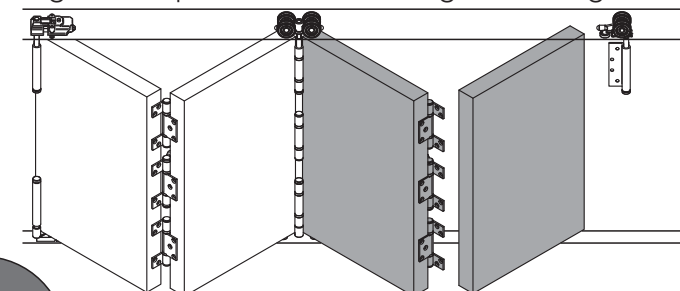
Middle hinge of int. set attached

Fix int. hanger to int. panel



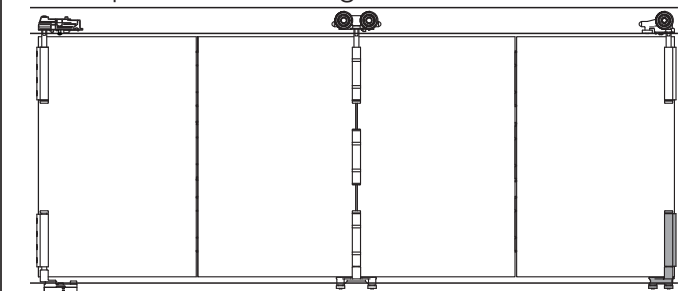
Attach int. guide to int. panel

Bring 2nd int. panel to the int. hanger with hinge set 7



Bring end panel to hinge set 7

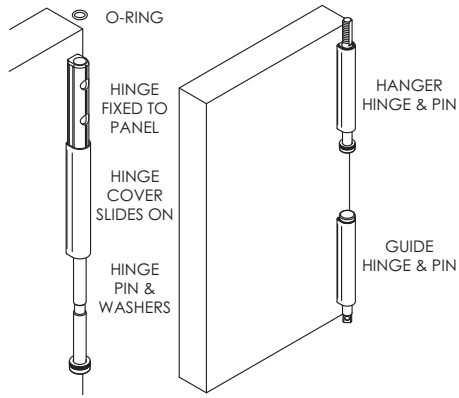
Fix end panel to end hanger



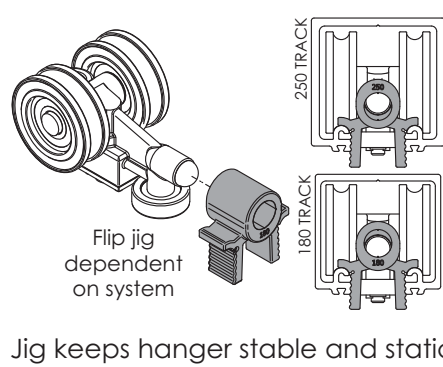
Attach end guide to end panel, close all panels

Installation when using F hinge types or Set 8

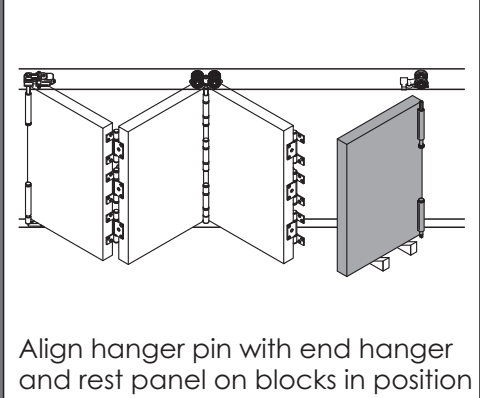
Hinges & pins remain on end panel



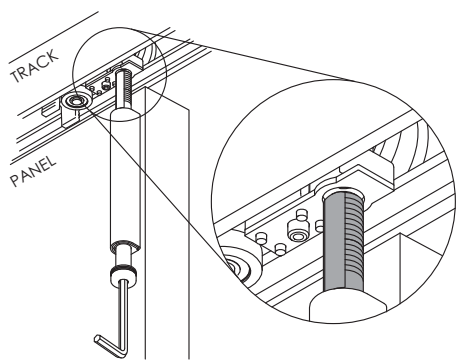
Push fit plastic jig onto end hanger and insert into track



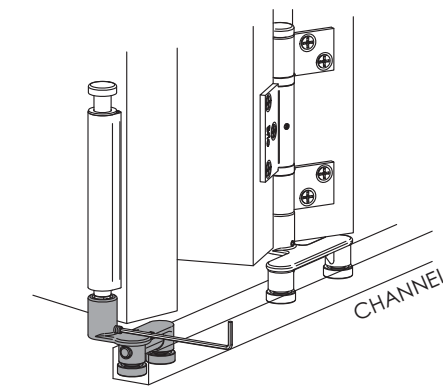
Bring end panel to system



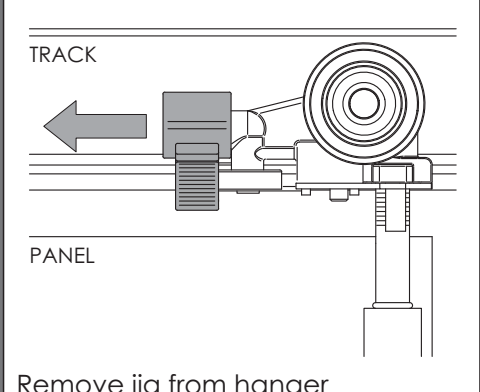
Depress button (see adjustment below) engage bolt into hanger



Attach guide to bottom hinge pin



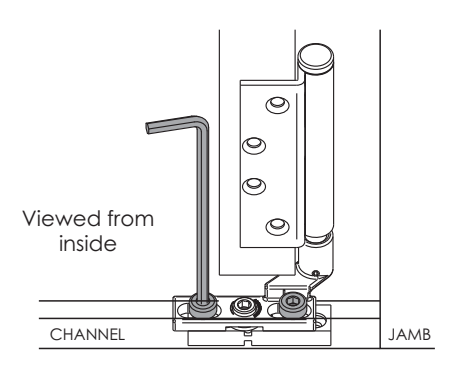
Close all panels



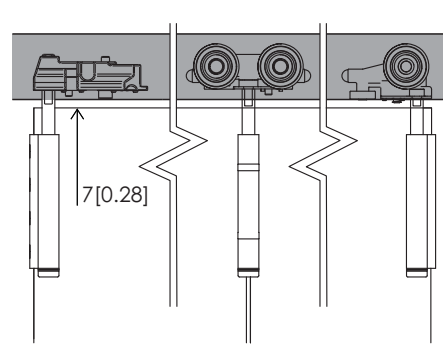
Remove jig from hanger

Adjustment hinge pin locking mechanism applied to all hangers and top pivot

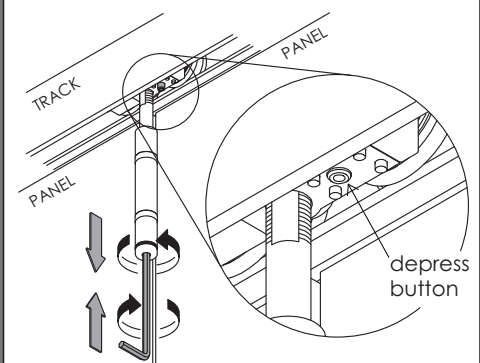
Now that the doors are in place, open doors and loosen locking screws.



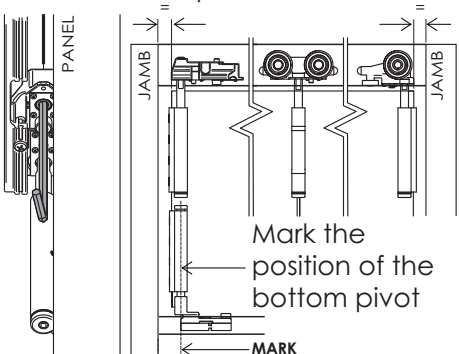
Adjust all hangers and top pivot until panels are parallel with 7mm gap between the track



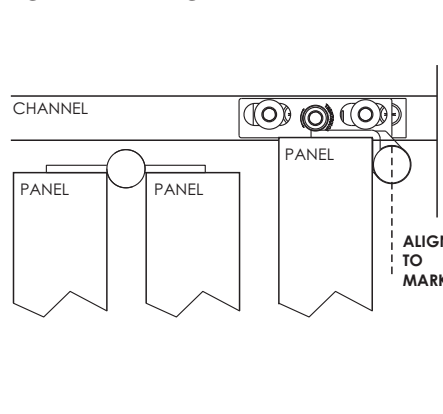
To adjust height, depress button and wind bolt. Bolt locks off automatically on flats.



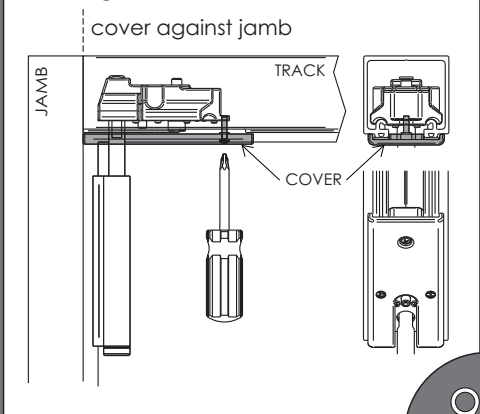
With the panels closed, loosen top pivot locking screw and adjust to centralise door panels. Then lock off top pivot and mark the position of the bottom pivot



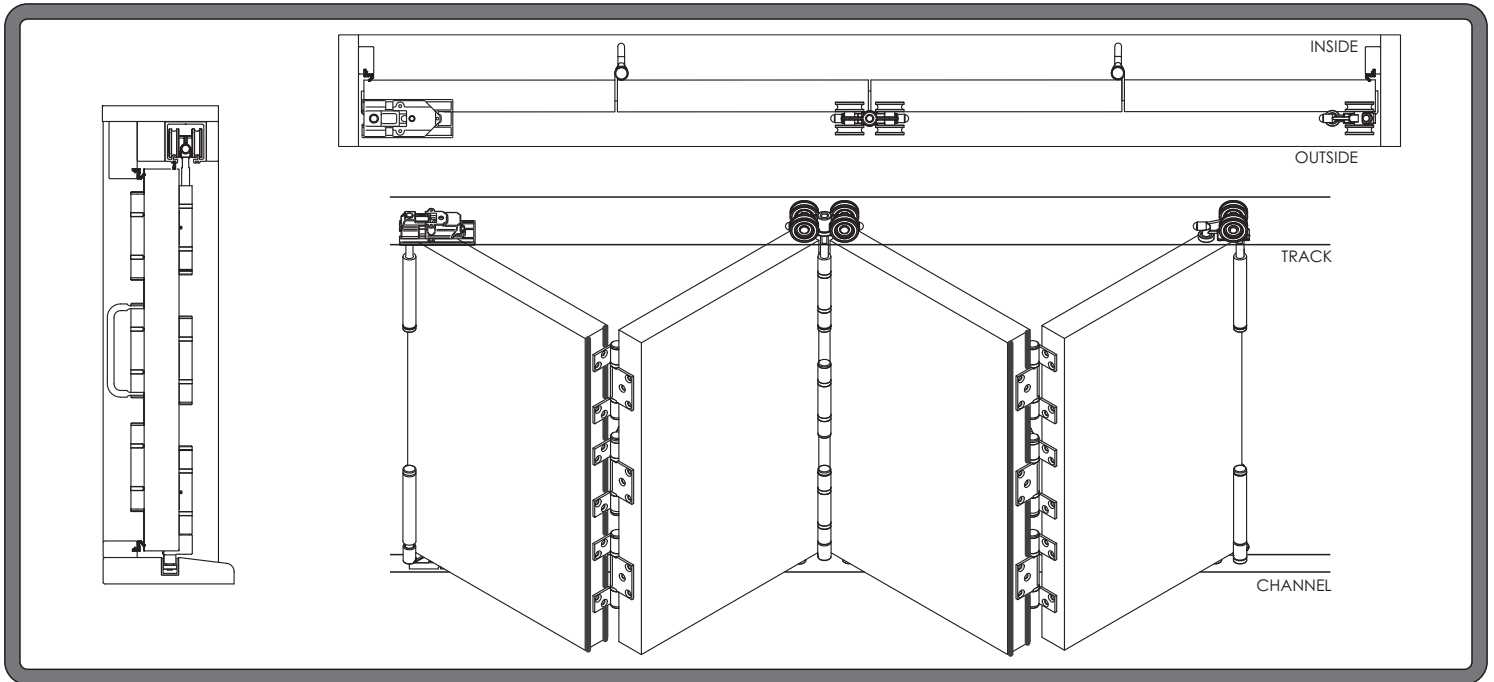
Open the panels and adjust the bottom pivot to the mark. Then tighten locking screws



Fix cover into pivot to cover notch. Cover to go against jamb, do not over tighten.



System Overview



Care and Maintenance

Hardware is subject to deterioration from everyday use and from the environment that it is in. In particular, it is important that routine maintenance be carried out in harsh coastal or marine environments and industrial applications.

General

Inspect all fixing bolts for tightness every six months, including those securing brackets. Tighten if necessary. Routinely check for wear and if excessively worn, the part should be replaced.

To help prevent surface corrosion, Brio® recommends washing regularly; even stainless steel finishes in coastal environments may show signs of surface corrosion if not washed regularly. Sheltered areas that are not rain washed are particularly susceptible. Wash with soap or mild detergent and warm water followed by rinsing with clean cold water and wipe dry.

As a guide, if a window or door requires washing then wash the hardware, however Brio® recommend for marine and industrial environments washing a minimum of every 3 months and 6 months for general environments. In coastal or marine environments Brio® recommends applying a light application of corrosion preventative such as CRC Marine 66 or Inox® for Marine, to all surfaces and using a dry cloth to remove excess. When using lubricant or corrosion protection compounds, be careful to avoid the adjacent surfaces and always follow the manufacturer's instructions.

Track

Keep track free from obstruction and excessive dirt or water. Visible surfaces should be cleaned using a damp cloth and mild detergent, then wiped dry.

Where fitting to the outside of the building, it is recommended that the appropriate track is specified.

Hangers & Pivots

All hangers are fitted with lubricated ball-bearings or plain bearings, requiring no greasing. If doors 'settle' and door clearance is reduced causing friction, raise the door by the hanger adjustment nuts.

Wash as per the above recommendation and apply a light application of corrosion preventative to all surfaces, using a dry cloth to remove excess.

Guides

Guide roller and guide channel must be kept clear and free of obstructions.

Wash as per the above recommendation and apply a light application of corrosion preventative to all surfaces, using a dry cloth to remove excess.

Rollers

All bottom rails should be free from obstruction and excessive dirt or water. Visible surfaces should be cleaned using a damp cloth and mild detergent, then wiped dry. All rollers are fitted with sealed precision bearings requiring no maintenance.

Hinges

Visible surfaces should be cleaned using a damp cloth and mild detergent, then wiped dry. Apply a light application of corrosion preventative to all surfaces, using a dry cloth to remove excess. Repeat at intervals no greater than 3 months.

Flush Bolts

Visible surfaces should be cleaned using a damp cloth and mild detergent, then wiped dry. Apply a light application of lubricant to internal mechanisms and bolt using a suitable nozzle-spray.